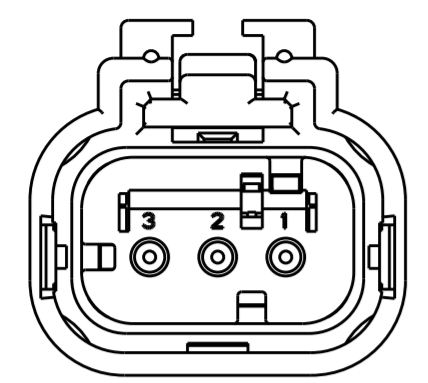
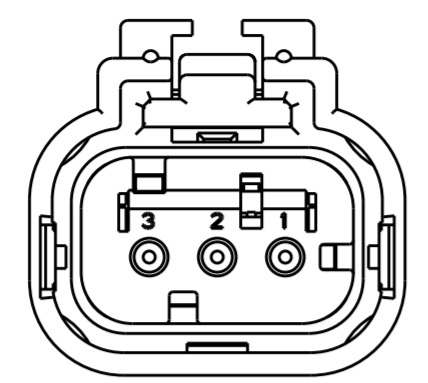


THIS DRAWING IS UNPUBLISHED. RELEASED FOR PUBLICATION 20
 © COPYRIGHT 20 BY - ALL RIGHTS RESERVED.

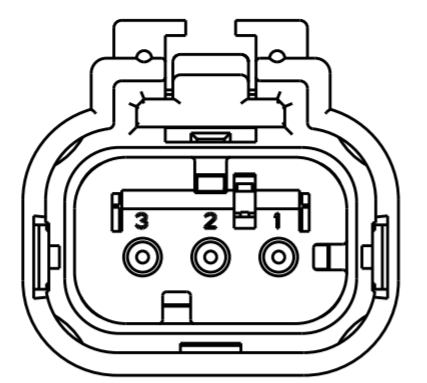
REVISIONS				
P	LTR	DESCRIPTION	DATE	APVD
E		REVISED PER ECO-13-019095	05DEC2013	DR RB



776523-2
SCALE 2:1
KEY B

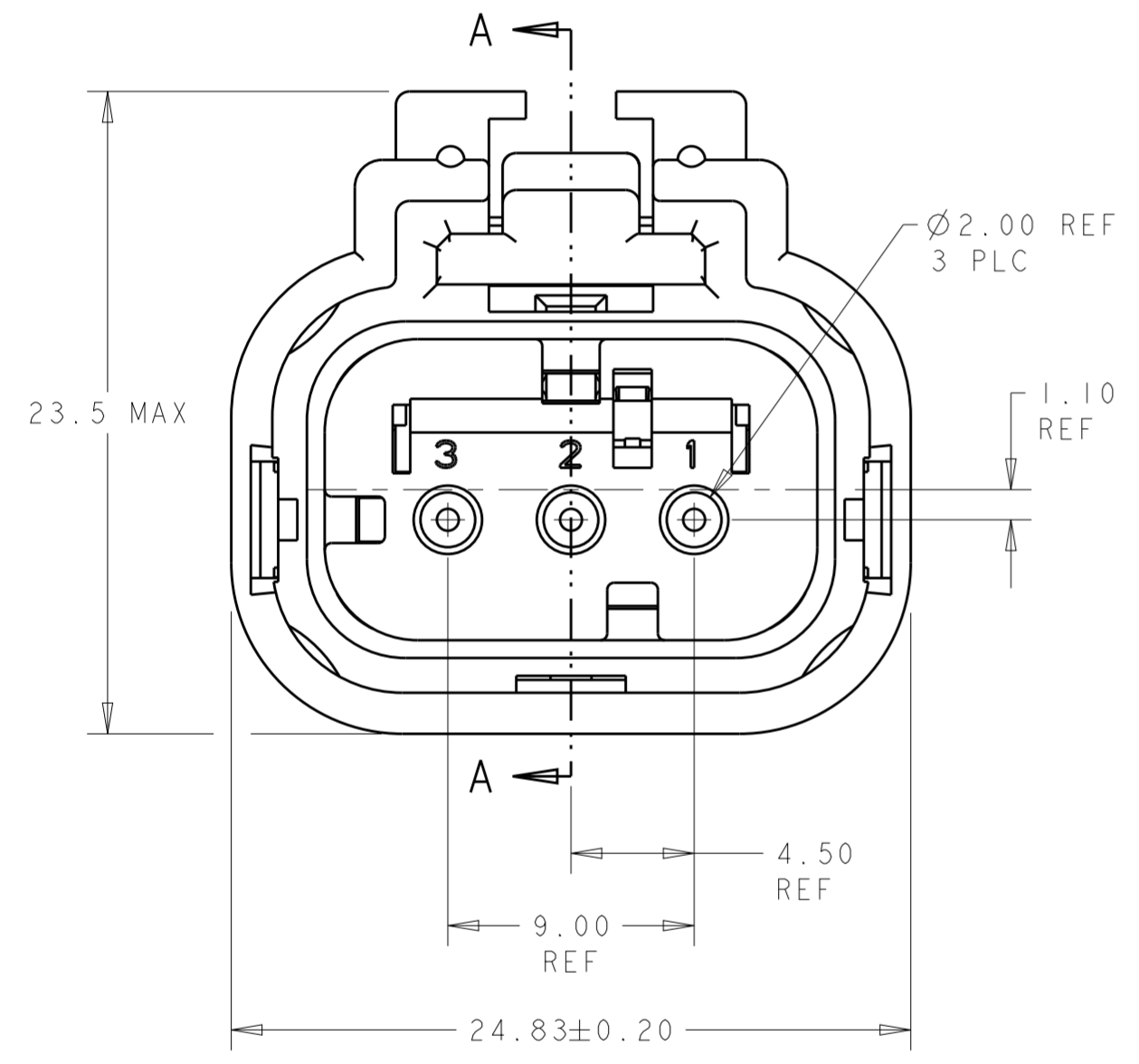


776523-3
SCALE 2:1
KEY C

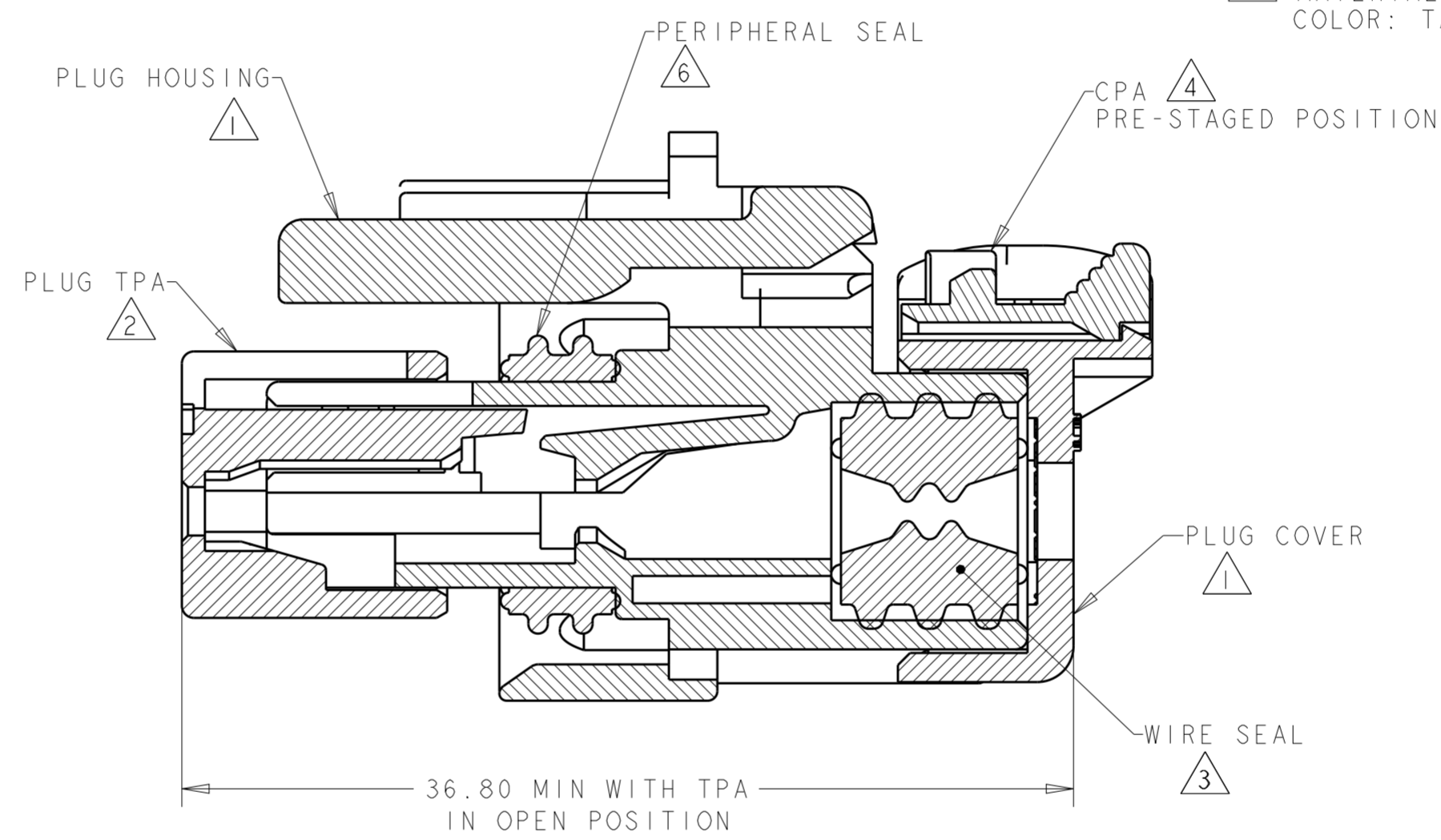


776523-4
SCALE 2:1
KEY D

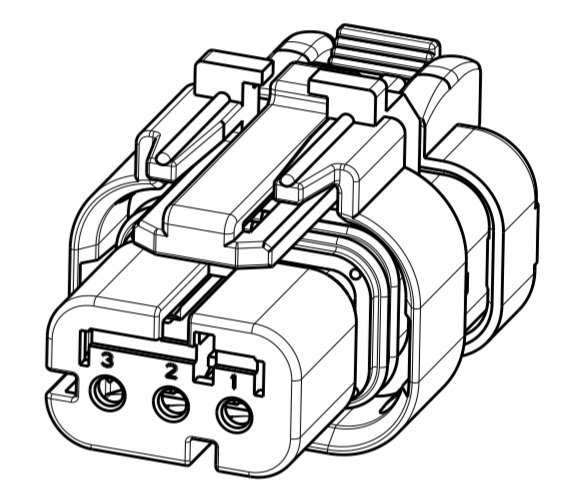
- 1 MATERIAL: 15% GLASS FILLED THERMOPLASTIC
COLOR: BLACK
- 2 MATERIAL: 15% GLASS FILLED THERMOPLASTIC
COLOR: (SEE TABLE)
- 3 MATERIAL: SILICONE
COLOR: RUST
- 4 MATERIAL: 15% GLASS FILLED THERMOPLASTIC
COLOR: RED
- 5. RECOMMENDED WIRE DIAMETER RANGE IS 1.30 TO 2.54mm.
- 6 MATERIAL: SILICONE
COLOR: TAN



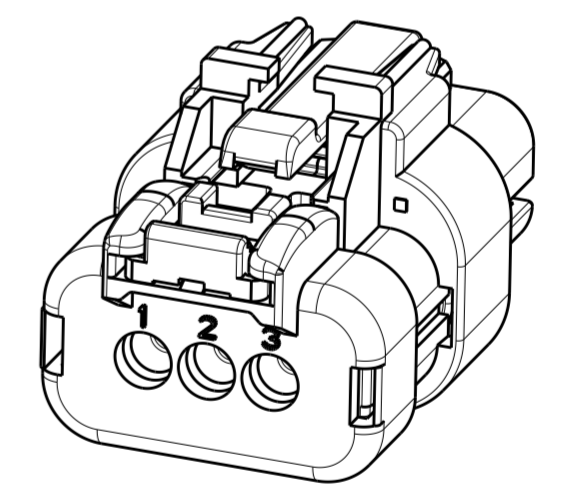
776523-1 SHOWN
KEY A



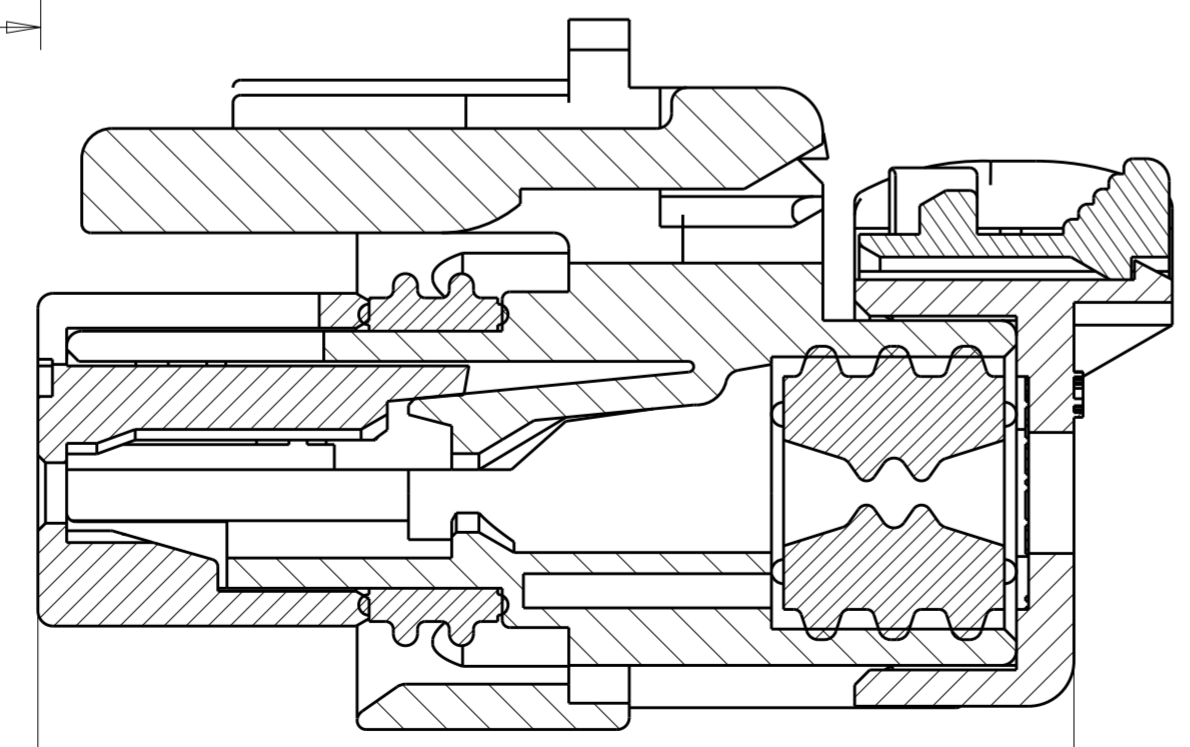
SECTION A-A



SCALE 2:1



SCALE 2:1



SECTION A-A

D	GREEN	776523-4
C	YELLOW	776523-3
B	GRAY	776523-2
A	RED	776523-1
KEY	TPA COLOR	PART NUMBER

THIS DRAWING IS A CONTROLLED DOCUMENT.		DWN AJ GRAFF 22FEB00	TE Connectivity	
DIMENSIONS: mm		CHK R GREINER 11DEC01		
TOLERANCES UNLESS OTHERWISE SPECIFIED:		APVD M TRULLI 11DEC01	NAME PLUG ASSEMBLY, 3 POSITION, SINGLE ROW REDUCED DIA WIRE SEAL, AMPSEAL 16	
0 PLC ±		PRODUCT SPEC 108-2184	SIZE A20779	
1 PLC ±		APPLICATION SPEC 114-13065	CAGE CODE C-776523	
2 PLC ±		WEIGHT 10	DRAWING NO G-776523	
3 PLC ±		Customer Drawing	RESTRICTED TO	
4 PLC ±			SCALE 4:1 SHEET OF REV E	
ANGLES ±				
FINISH -				